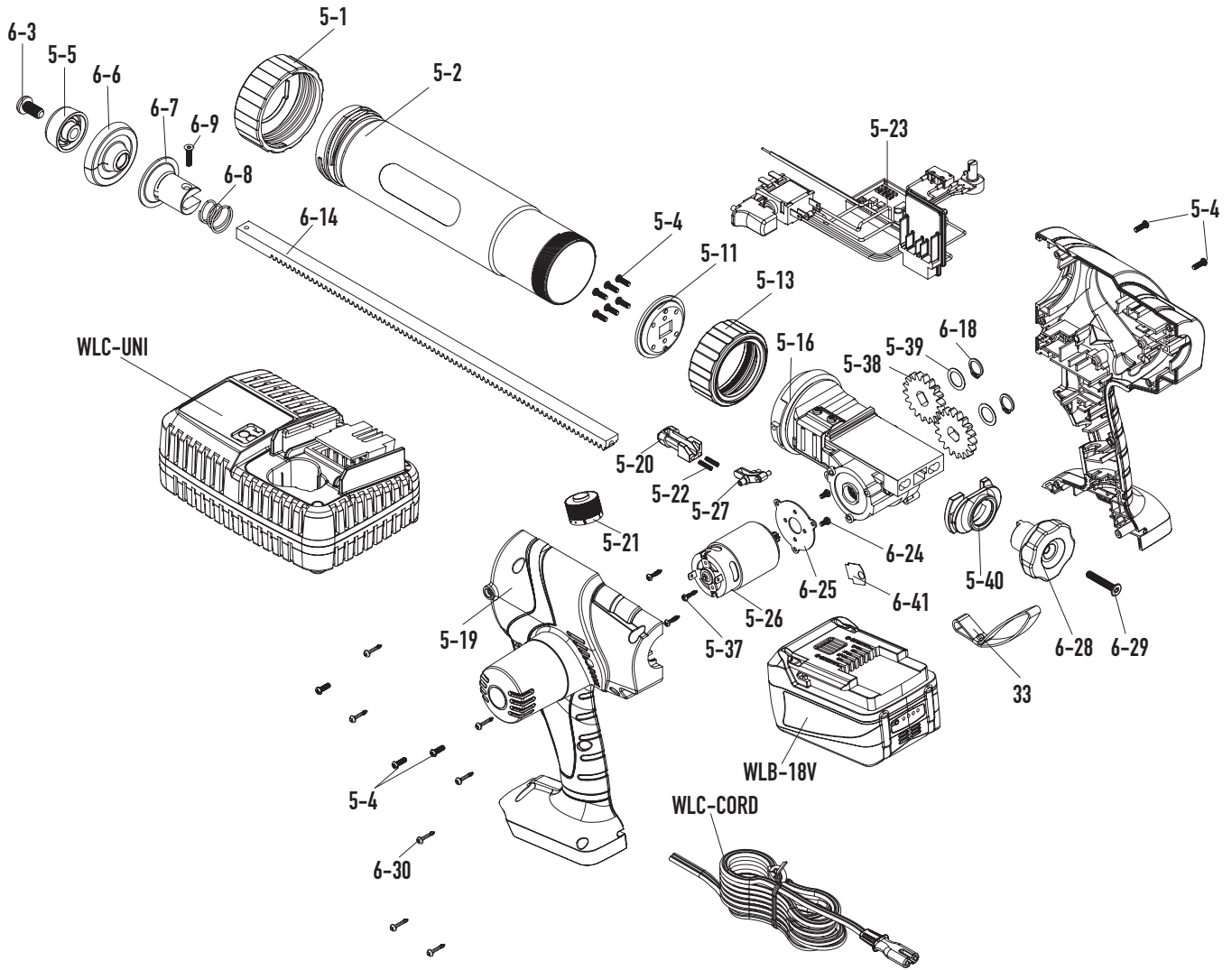


CG-605L Parts Diagram and List



No	Parts Name	Qty
CG5-1	Front Cap	1
CG5-2	Compound Holder	1
CG5-4	Screw	12
CG5-11	Connector	1
CG5-13	Connecting Cap	1
CG6-3	Plunger Screw	1

CG5-5	Plunger Cover	1
CG6-6	Plastic Plunger Disk	1
CG6-7	Plunger Disk	1
CG6-9	Plunger Adaptor Screw	1
CG6-8	Spring	1
CG6-14	Rack	1

Parts Diagram and List (continued)

No	Parts Name	Qty
CG5-16	Gear Box Assembly & Rack Guider	1
CG5-23	PCB Assembly	1
CG5-21	Speed Control Dial	1
CG5-20	Rack Release Button	1
CG5-22	Spring	1
CG5-27	Rack Release Rod Assembly	1
CG6-24	Motor Screw	1
CG6-25	Motor Fixing Ring	1
CG5-26	Motor Assembly	1
CG5-37	Screw	1
CG5-38	Gear	2
CG5-39	Washer	2

CG6-18	C-Ring	2
CG5-19	Housing	1
CG6-30	Housing Screw	8
CG5-40	Rubber Fixing	1
CG6-28	Rack Rear Knob	1
CG6-29	Rack Rear Knob Screw	1
CG5-41	Speed Control Shell Fragment	1
WLB-18V	Battery 18V Li-ion	1
WLC-CORD	Power Cord	1
WLC-UNI	Battery Charger 10.8v/14.4v/18v Wallpro	1